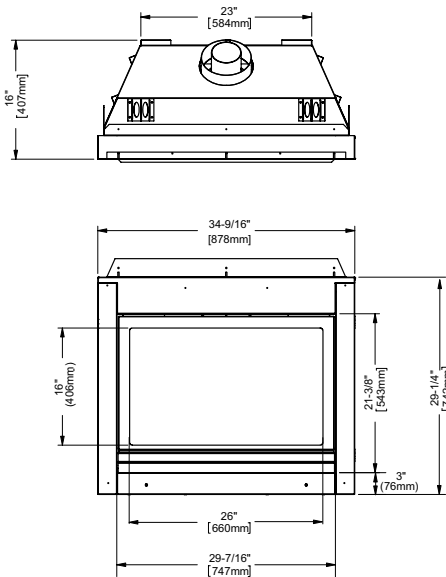


## HZ33CE Gas Fireplace

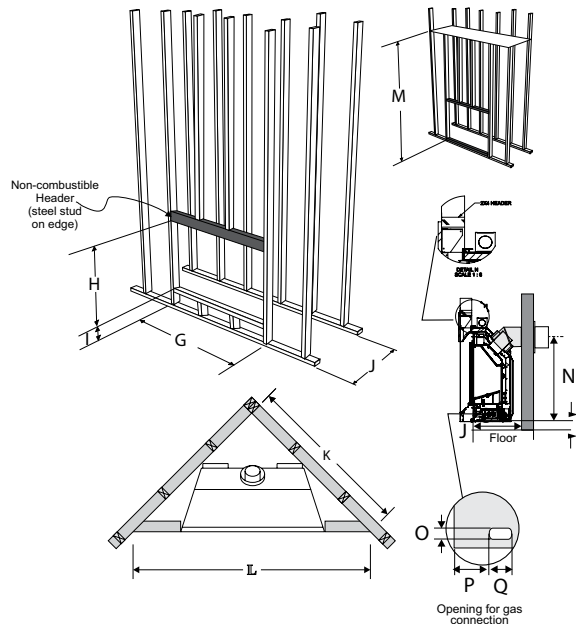
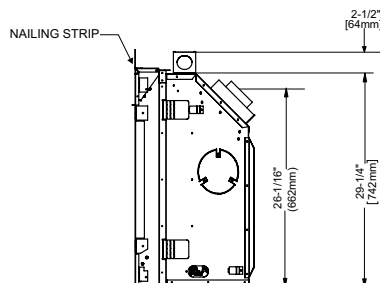
Model	HZ33CE-NG10	HZ33CE-LP10
Fuel Type	Natural Gas	Propane
Minimum Supply Pressure	5" W.C. (1.25 kPa)	11" W.C. (2.73 kPa)
Manifold Pressure - High	3.5" W.C. (0.87 kPa)	10" W.C. (2.48 kPa)
Manifold Pressure - Low	1.6" W.C. (0.41 kPa)	6.4" W.C. (1.59 kPa)
Orifice Size -Altitude 0-4500 ft.	#47 DMS	#56 DMS
Minimum Input Altitude 0-4500 ft. (0-1372m)	12,000 BTU/h (3.51 kW)	12,500 BTU/h (3.66 kW)
Maximum Input Altitude 0-4500 ft. (0-1372m)	17,000 BTU/h (4.98 kW)	15,000 BTU/h (4.39 kW)
Vent Sizing	4" x 6-5/8"	4" x 6-5/8"



Approved Venting Systems	
Flex Vent Systems:	FPI AstroCap™ Flex Vent
Rigid Pipe Vent Systems:	Simpson Direct Vent Pro® American Metal Products® Amerivent Direct Security Secure Vent® Selkirk Direct-Temp™ Metal-Fab® Sure Seal



NAILING ST



Framing Dimensions	Description	HZ33CE	
G	Framing Width	35" (889mm)	
H	Framing Height *	31-3/4" (806mm)	
I	Framing Rise from Floor	0" (when not using a surround) 2" min (when using Casandra Surround ) 3-5/16" min (when using Verona Faceplate)	
J *	Framing Depth	Vertical	22-3/4" (578mm)
		Horizontal	19-3/4" (502mm) Rigid / 16" (406mm) Flex
K	Corner Wall Length	38-15/16" (988mm)	
L	Corner Facing Wall Width	55-1/2" (1410mm)	
M	Framed Chase Ceiling*	36" (914mm) Rigid	32" (812mm) Flex
N	Vent Centerline Height*	30" (762mm) Rigid	26" (660mm) Flex
O	Gas Connection Height*	1 1/2" (38mm)	
P	Gas Connection Inset*	7-3/16" (183mm)	
Q	Gas Connection Width*	3" (76mm)	

\* Measured from base of unit.

## CLEARANCES

The clearances listed below are Minimum distances unless otherwise stated:

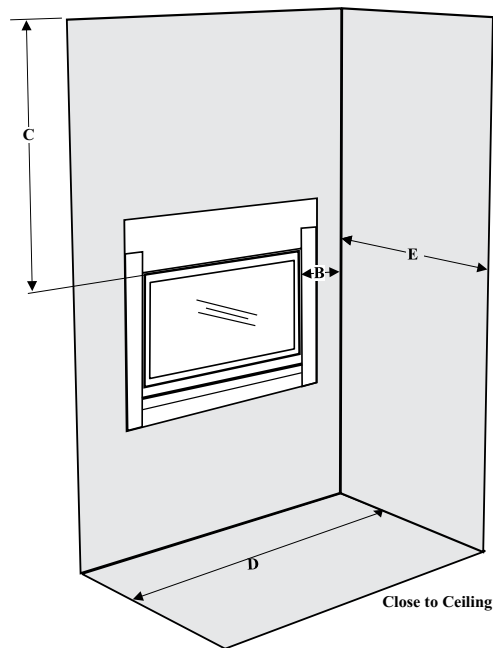
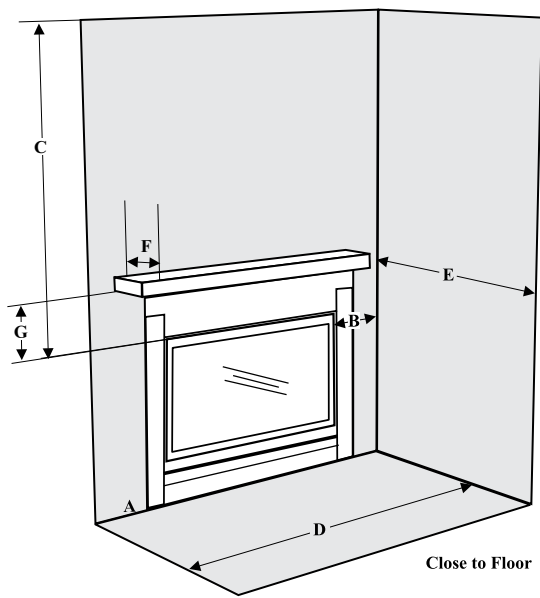
A major cause of chimney related fires is failure to maintain required clearances (air space) to combustible materials. It is of the greatest importance that this fireplace and vent system be installed only in accordance with these instructions.

### Caution Requirements

The top, back and sides of the fireplace are defined by standoffs. The metal ends of the standoff may **NOT** be recessed into combustible construction.

### WARNING

Fire hazard is an extreme risk if these clearances (air space) to combustible materials are not adhered to. It is of greatest importance that this fireplace and vent system be installed only in accordance with these instructions.



Clearance:	Dimension	Measured From:
A: *Front Floor Clearance (min.)	0"	Underside of Unit
B: *Sidewall (on one side)	9" (229mm)	Side Opening of Unit
C: *Ceiling (room and/or alcove)	30" (762mm)	Top Opening of Unit
D: Alcove Width	84" (1219mm)	Sidewall to Sidewall (Minimum)
E: Alcove Depth	36" (914mm)	Front to Back Wall (Maximum)
F: Mantel	12" (305mm)	
G: Mantel Clearances	15-3/4" (400mm)	From Top Opening of Unit

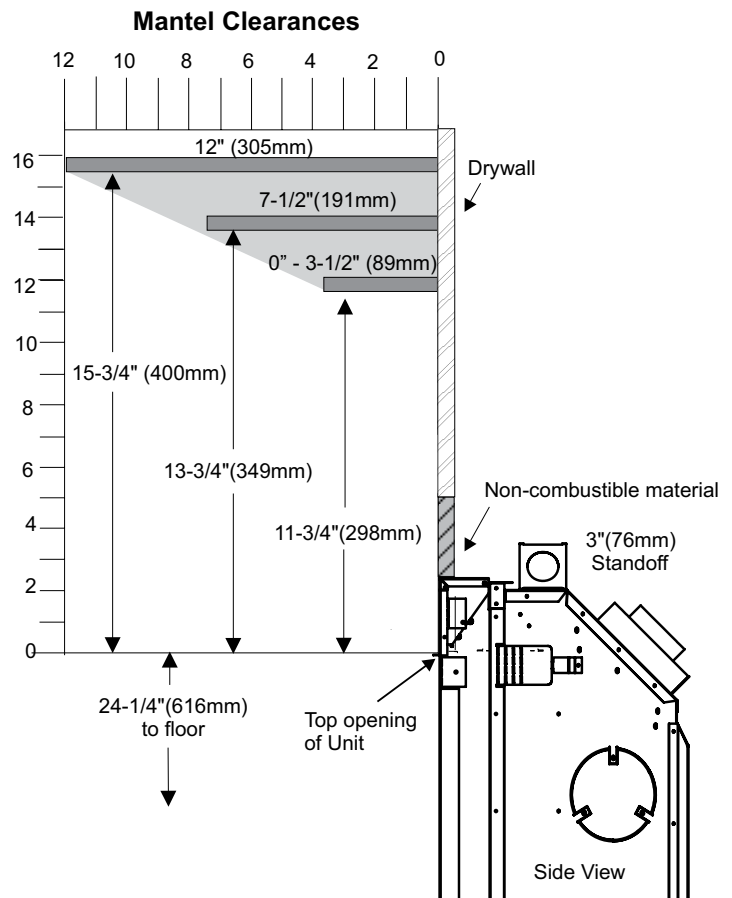
Flue Clearances	
Horizontal - Top	2-1/2"
Horizontal - Side	1-1/2"
Horizontal - Bottom	1-1/2"
Vertical (Flex Vent)	1-1/2"
Vertical (Rigid)	1-1/4"

## MANTEL CLEARANCES

Due to the extreme heat this fireplace emits, the mantel clearances are critical. Combustible mantel clearances from top of front facing are shown in the diagram on the right.

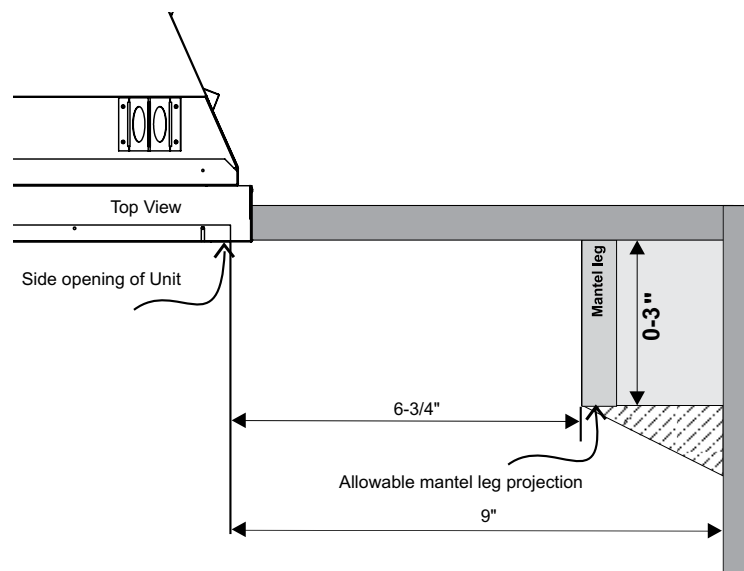
**Note:** A non-combustible mantel may be installed at a lower height if the framing is made of metal studs covered with a non-combustible board.

**Note:** Ensure the paint that is used on the mantel and the facing is "heat resistant" or the paint may discolour.



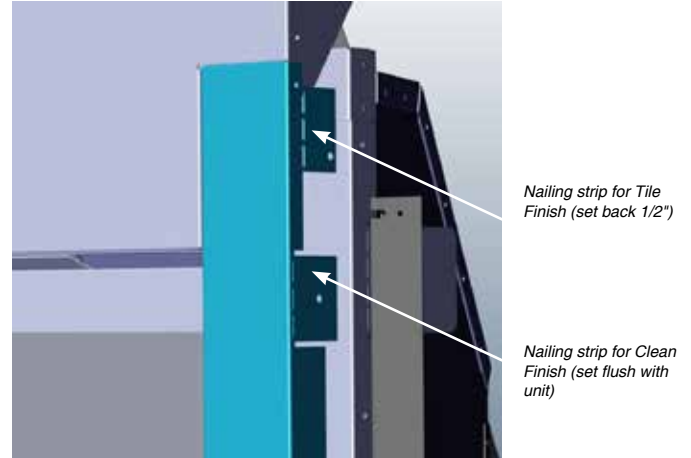
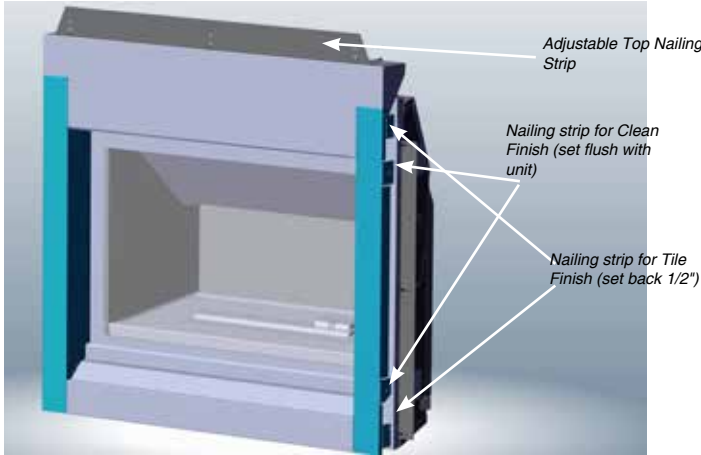
## MANTEL LEG CLEARANCES

Combustible mantel leg clearances from side of unit as per diagram:



## FRAMING & FINISHING

1. There are 8 (eight) side nailing strips and one top nailing strip available on the unit. One set of four (4) are for a clean finish installation, the other set are for a tile finish installation as they are set back 1/2" (13mm). The top nailing strip is adjustable to 1/2" (13mm).
2. Bend the required four (4) nailing strips to 90°.
3. Attach top nailing strip with one (1) screw (located at the back of the nailing strip). Adjust to required position, flush or back 1/2" and tighten screw.



1. Frame in the enclosure for the unit with framing material.

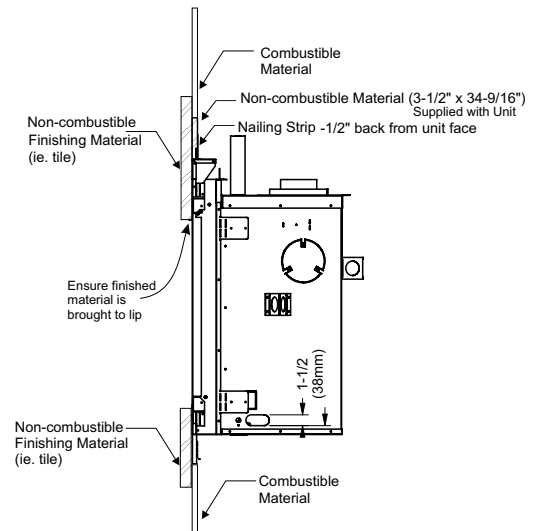
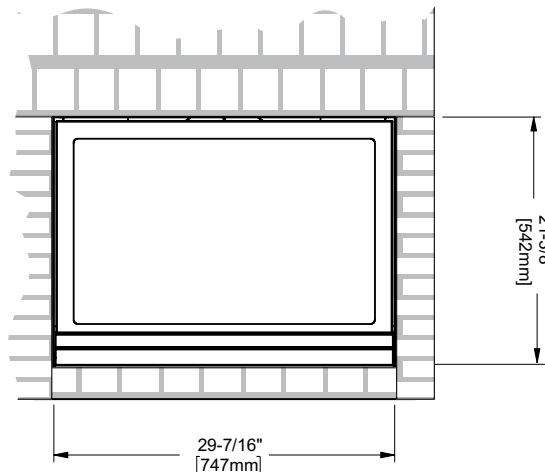
**Note: When constructing the framed opening, please ensure there is access to install the gas lines when the unit is installed.**

2. For exterior walls, insulate the enclosure to the same degree as the rest of the house; apply vapour barrier and drywall, as per local installation codes. **(Do not insulate the fireplace itself.)**

**WARNING: Failure to insulate and add vapor barriers to the inside of the exterior wall will result in operational and performance problems including, but not limited to: excessive condensation on glass doors, poor flame package, carbon, blue flames etc. These are not product related issues.**

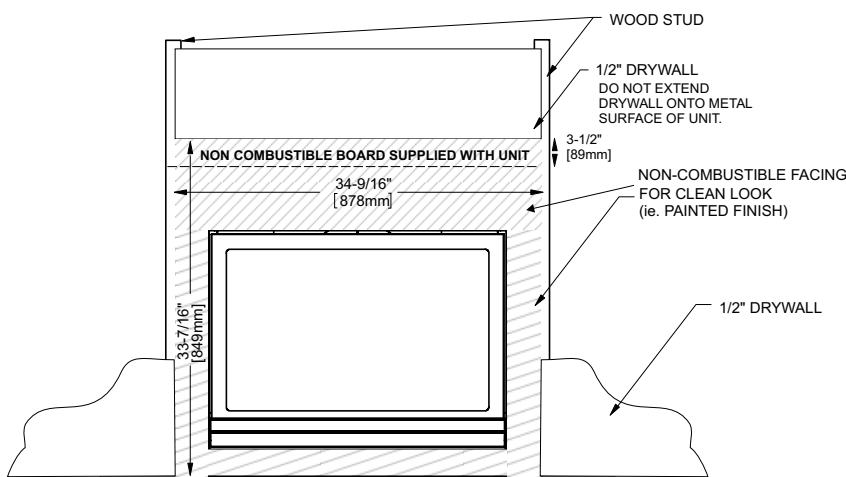
3. The unit does not have to be completely enclosed in a chase. You must maintain clearances from the vent to combustible materials: See "Clearances" section. Combustible materials can be laid against the side and back standoffs and the stove base.
4. Tile Finish Option 1: Drywall may be installed onto the unit as shown below to create a surface to apply finishing materials such as tile, slate, etc. Drywall cannot extend beyond the metal surface of the unit.
5. Tile Finish Option 2: If applying a non-combustible finishing material (tile, slate, etc) the material can be installed directly onto the metal surface (clean front) of the unit in the area shown below.

## TILE FINISH

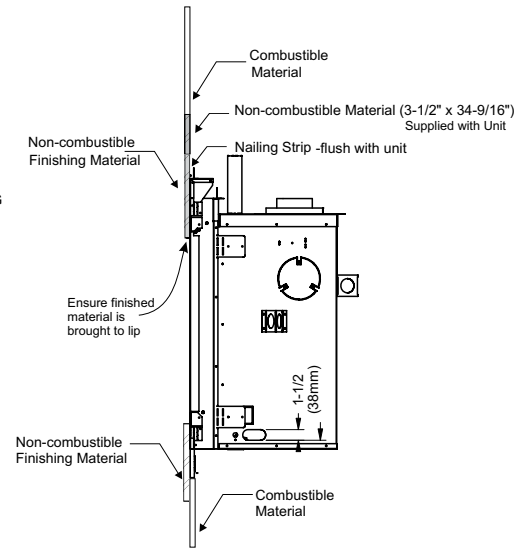


## CLEAN FINISH

6. If applying a non-combustible facing it may be installed over the metal surface (clean front) of the unit in the area shown below.



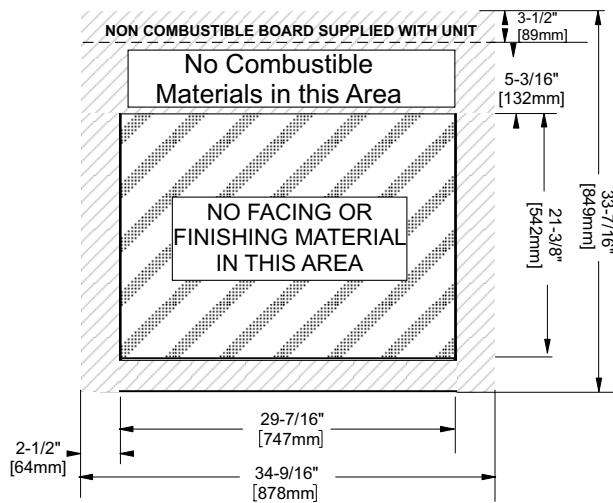
Combustible and Non-combustible Facing and Finishing Materials around unit.



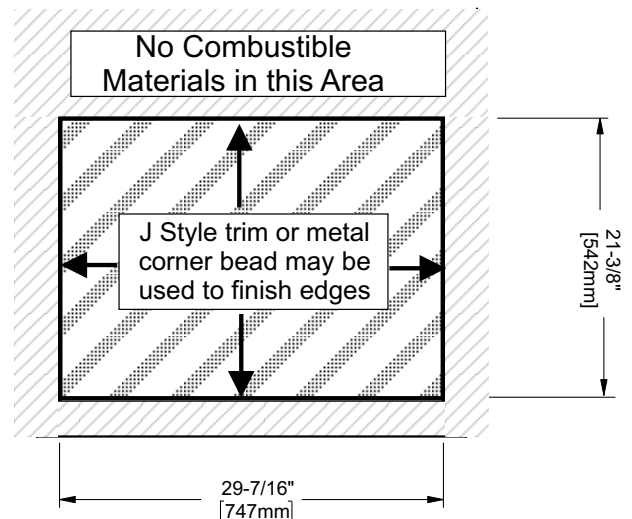
**NOTE:** The 3-1/2" x 34-9/16" non combustible material supplied with this unit can be replaced if trying to achieve a clean finish. A large piece of non combustible material (ie. 4' x 8' x 1/2") can be used to eliminate taped seams on or near unit.

7. Non-combustible material (ie. tile, slate, etc.) may be brought up to the edge of the glass door of the unit. Minimum clearances must be adhered to, this will assure ease of glass door removal and access to the lower panel.

**NOTE:** Non-combustible finishing materials may be of any thickness desired.



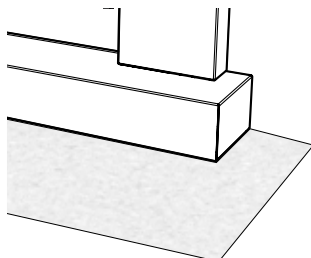
Minimum Clearances for Finishing Materials



Trim materials

### IMPORTANT FINISHING DETAIL NOTE:

Before placing unit into final position - it is important to know the total thickness / height of finished hearth (tile, carpet, etc.) The base of the fireplace, 4 sided faceplate or mantel should be level or higher than the finished hearth height.



**Note:** All non-combustible facing material should butt up cleanly to the flanges around the firebox opening.

Rough edges may be visible from an angle.

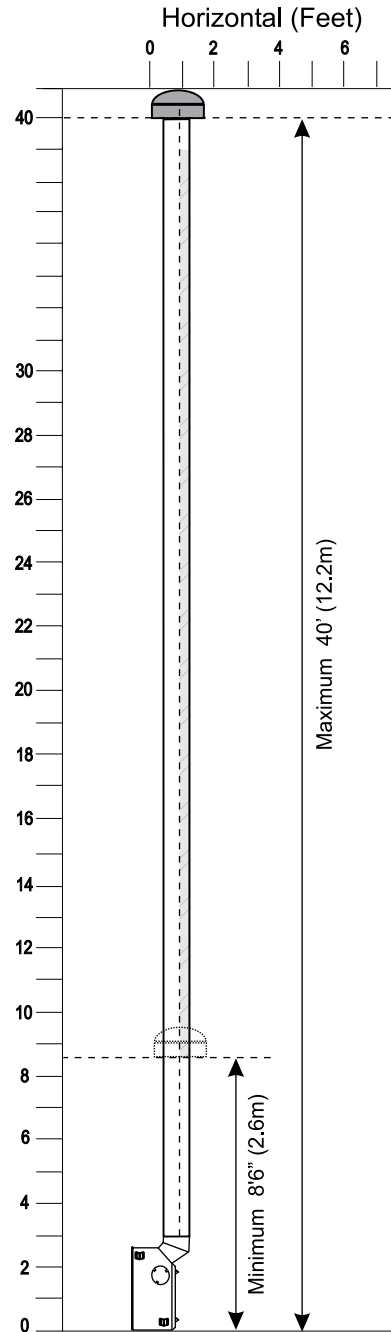
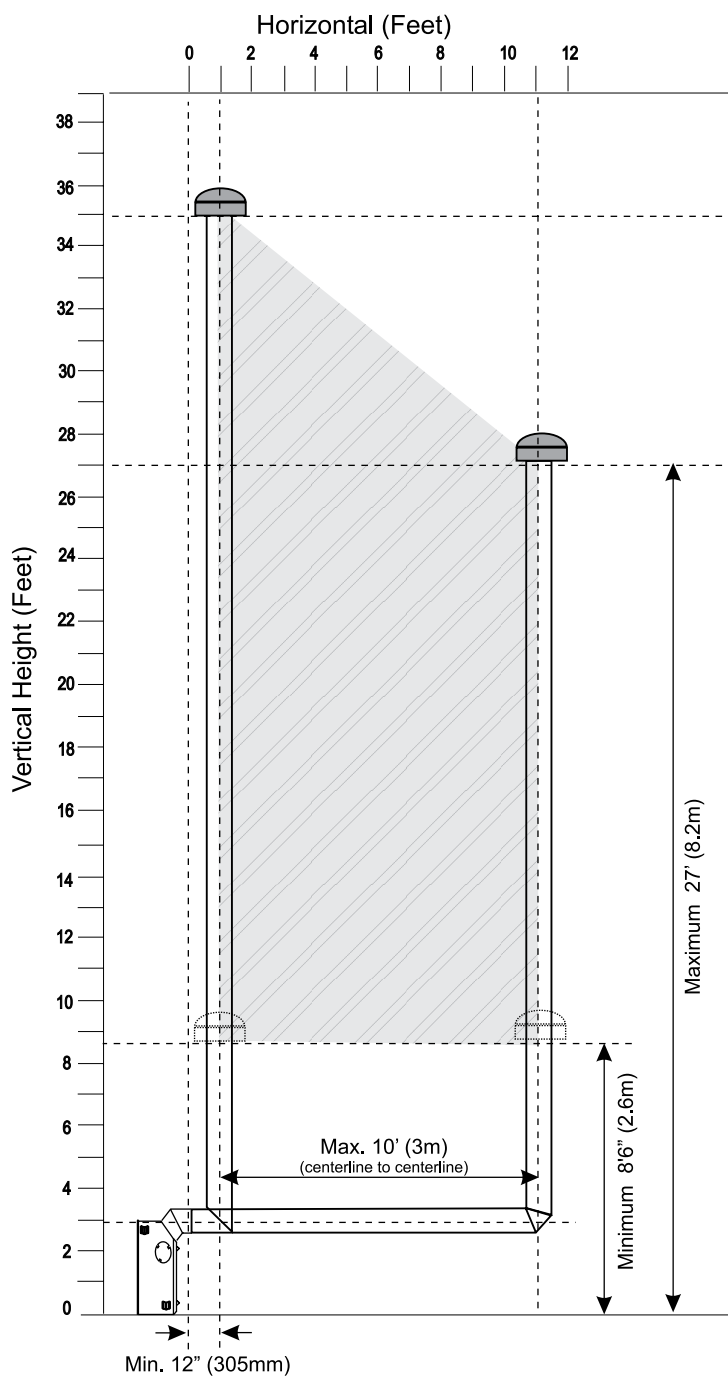
To maintain a clean finished edge - facing material edges may be finished with a J-style trim or metal cornerbead (both materials available at your local building or hardware store).

**IMPORTANT:** Materials used must be NON-COMBUSTIBLE.

## RIGID PIPE VENTING ARRANGEMENTS

### Vertical Terminations (Propane & Natural Gas)

The shaded area in the diagram shows all allowable combinations of straight vertical and offset to vertical terminations, using one 90° elbow, with rigid pipe vent systems for Propane and Natural Gas.



- Unit must be raised 1".
- Firestops are required at each floor level and whenever passing through a wall.
- Maintain clearances to combustibles.
- Vent must be supported at offsets.

**Note: Must use optional rigid pipe adapter when using rigid vent systems (Part # 510-994).**

## RIGID PIPE VENTING ARRANGEMENTS

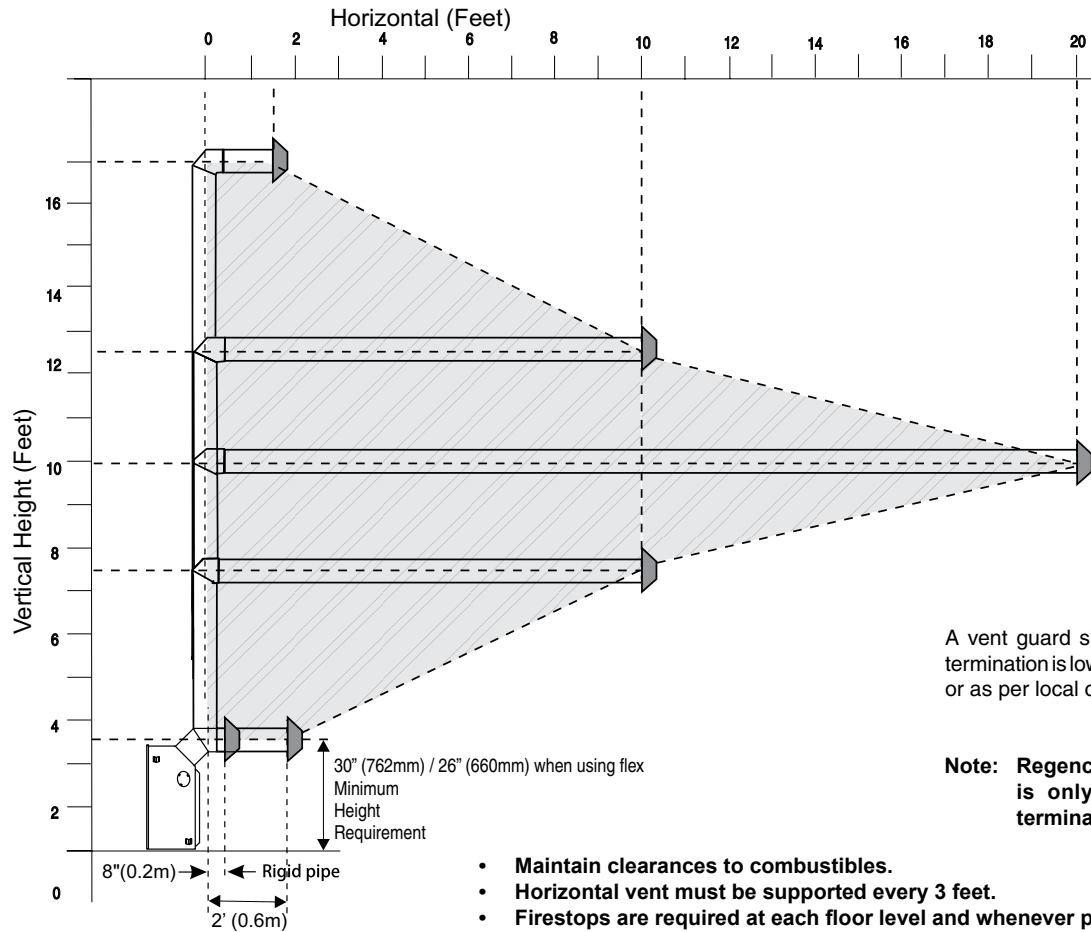
### Horizontal Terminations

### REGENCY® DIRECT VENT SYSTEM (FLEX)

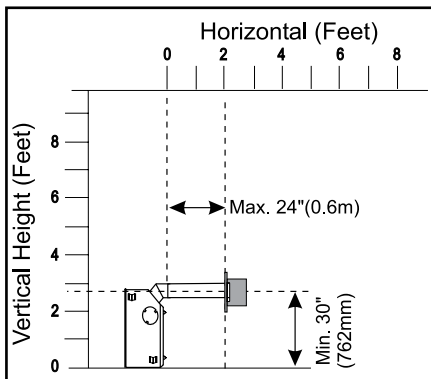
### (Propane & Natural Gas)

This diagram shows all allowable combinations of vertical runs with horizontal terminations, using one 45° and one 90° elbow (two 45° elbows equal one 90° elbow).

**Note:** Must use optional rigid pipe adaptor (Part # 510-994. when using rigid pipe vent systems. (Refer "Rigid Pipe Venting Systems" Section)



**Minimum**  
**Simpson Dura-Vent Center-Line**



**Minimum**  
**Flex Kit Center-Line**

